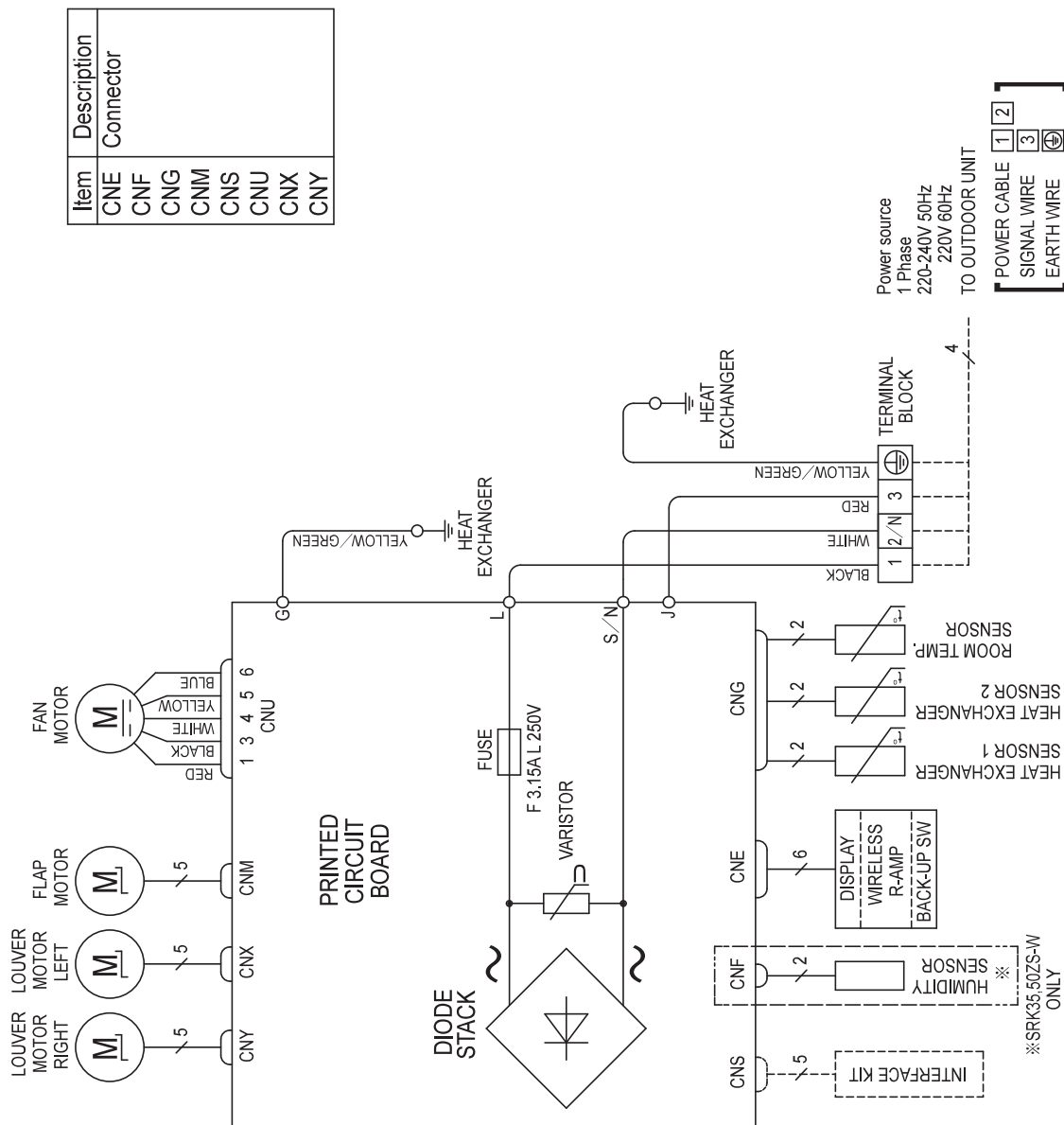


### 3. ELECTRICAL WIRING

(1) Indoor units

Models SRK20ZS-W, 25ZS-W, 35ZS-W, 50ZS-W  
 SRK20ZS-WB, 25ZS-WB, 35ZS-WB, 50ZS-WB  
 SRK20ZS-WT, 25ZS-WT, 35ZS-WT, 50ZS-WT

Item	Description
CNE	Connector
CNF	
CNG	
CNM	
CNS	
CNU	
CNX	
CNY	



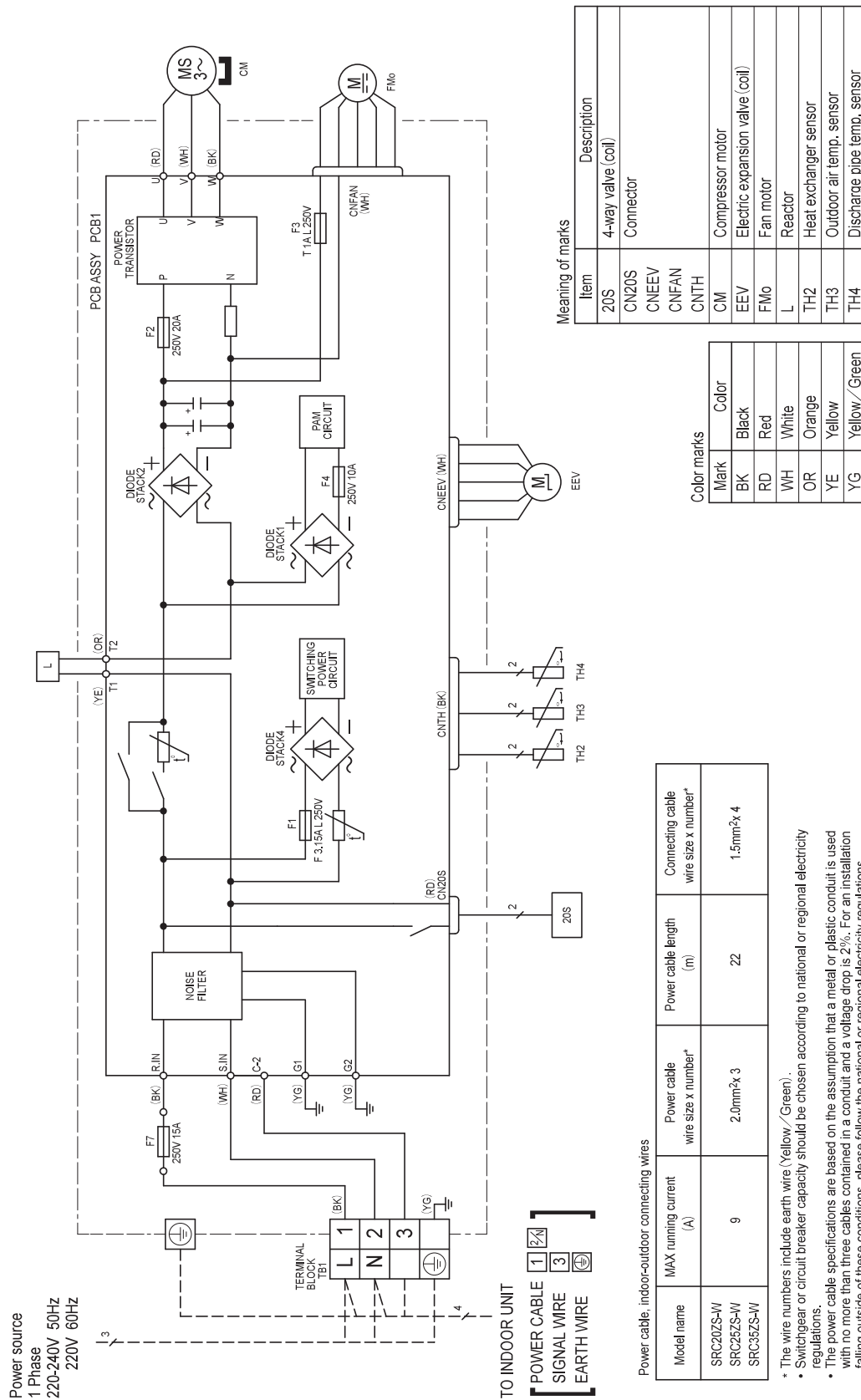
Power source  
 1 Phase  
 220-240V 50Hz  
 220V 60Hz  
 TO OUTDOOR UNIT



RWA000Z416

(2) Outdoor units

Models SRC20ZS-W, 25ZS-W, 35ZS-W



Meaning of marks

Item	Description
20S	4-way valve (coil)
CN20S	Connector
CNEEV	Compressor motor
CNFAN	Electric expansion valve (coil)
CNTH	Fan motor
CM	Reactor
EEV	Heat exchanger sensor
FMo	Outdoor air temp. sensor
L	Discharge pipe temp. sensor
TH2	
TH3	
TH4	

Color marks

Mark	Color
BK	Black
RD	Red
WH	White
OR	Orange
YE	Yellow
YG	Yellow / Green

Power cable, indoor-outdoor connecting wires

Model name	MAX running current (A)	Power cable wire size x number*	Power cable length (m)	Connecting cable wire size x number*
SRC20ZS-W	9	2.0mm <sup>2</sup> x 3	22	1.5mm <sup>2</sup> x 4
SRC25ZS-W				
SRC35ZS-W				

- \* The wire numbers include earth wire (Yellow / Green).
- \* Switchgear or circuit breaker capacity should be chosen according to national or regional electricity regulations.
- \* The power cable specifications are based on the assumption that a metal or plastic conduit is used with no more than three cables contained in a conduit and a voltage drop is 2%. For an installation falling outside of these conditions, please follow the national or regional electricity regulations.

RWC000Z315